

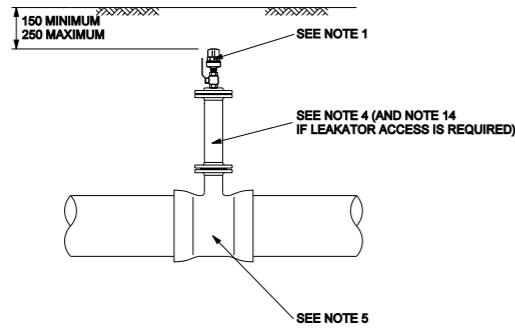
DO NOT SCALE - IF IN DOUBT ASK

NOTE

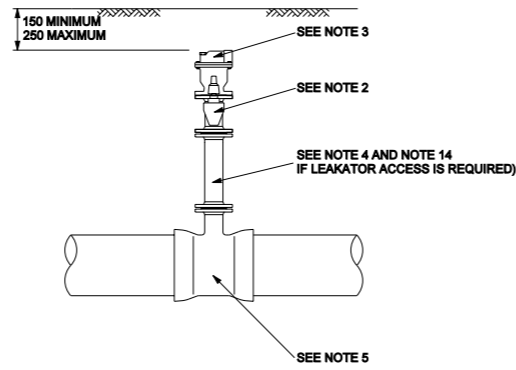
- DN25 SINGLE COMPOSITE AIR VALVE WITH 1" BSP MALE THREAD MOUNTED ON QUARTER TURN ISOLATING DZR BRASS BALL VALVE AND DN80 PN16 FLANGE WITH 1" BSP MALE THREAD
- DN80 BEVEL GEARED GATE VALVE
- DN80 SINGLE LARGE ORIFICE AIR VALVE
- DN80 DOUBLE FLANGED RISER PIECE(S) IN STANDARD LENGTHS
- DN80 FLANGE ON SOCKET TEE
- DN80 DOUBLE AIR VALVE - MIN SIZE, CHECK FOR EACH APPLICATION
- 4550D STUDDED PLATE DRILLED TO DN300 PN16 FLANGE AND STUDDED TO SUIT DN80 PN16 FLANGE WITH CENTRE HOLE DN80 FOR DN1000 PIPES BRANCH SHALL BE DN300 AND FOR DN1200 PIPES BRANCH SHALL BE DN400
- DN300 FLANGE ON SOCKET TEE
- VENTILATED DUCTILE IRON MANHOLE COVER AND FRAME 600 x 600 CLEAR OPENING WITH THAMES WATER LOGO. FOR FIELD, FOOTWAY OR VERGE USE B125 COVER AND ASSESS RISK OF EXCEEDING COVER LOADING. FOR ROADS USE D400 COVERS. SEE DRAWINGS AM-DRG-WN-02253 TO AM-DRG-WN-02255
- 600 x 600 CLEAR OPENING RECYCLED POLYMER CHAMBER SECTIONS
- TYPE 1 BACKFILL WELL COMPACTED MINIMUM THICKNESS BELOW CHAMBER 300
- BED AND SURROUND TO PIPE MINIMUM 150 ABOVE PIPE REF DRG AM-DRG-WN-02220
- REINSTATEMENT LAYER
- IF SUPERPIG ACCESS REQUIRED INSTALL DN200 BEVEL GEARED GATE VALVE AT TEE FLANGE LEVEL
- PE BUTT WELDED IN LINE TEE KIT
- THE AIR VALVE SHALL BE INSTALLED SO THAT IT IS TRULY PLUMB

GUIDANCE NOTE

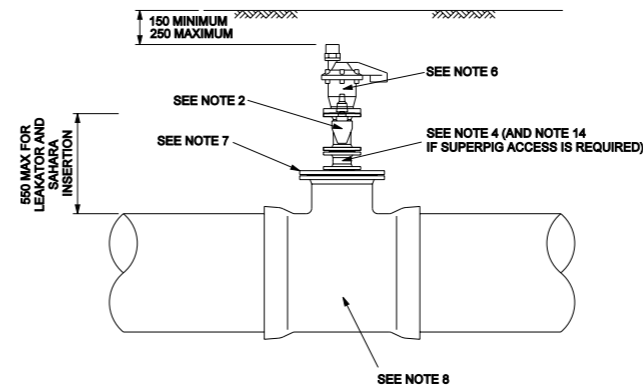
- THIS DRAWING DETAILS BEST PRACTICE AND SHALL BE ADHERED TO WHERE EVER PRACTICABLE. DEROGATION OF THE CONTENT ON INTENT OF THIS DRAWING REQUIRES WRITTEN CONSENT FROM THE TECHNICAL LEAD.
- FOR GUIDANCE ON PIPE MATERIAL SELECTION SEE TW WATER MAINS DESIGN STANDARD
- IN FIELD, RAISED CHAMBER AND/OR FENCING MAY BE APPROPRIATE - LAND OWNER AGREEMENT REQUIRED.
- CHAMBER STRUCTURAL DETAILS SHALL BE CHECKED FOR EACH APPLICATION
- CHAMBER SHALL BE INSTALLED IN ACCORDANCE WITH MANUFACTURER'S INSTRUCTIONS
- WHERE APPLICABLE ALL MATERIALS SHALL BE FROM THAMES WATER FRAMEWORK SUPPLIERS
- EXTERNAL PROTECTION FOR BURIED FLANGED JOINTS, FLANGE ADAPTORS AND COUPLINGS SHALL BE TYPE P1 AS DEFINED IN CLAUSE 5.14 OF CESWI 9TH EDITION. THIS PROTECTION SHALL COVER THE FLANGE AND ALL NUTS, BOLTS AND THREADS.



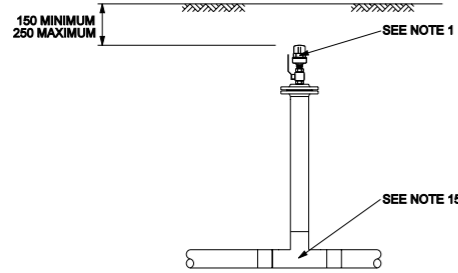
PIPEWORK DETAILS ≤ DN300  
SMALL ORIFICE



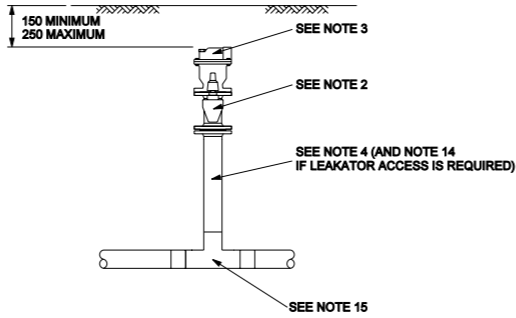
PIPEWORK DETAILS ≤ DN300  
LARGE ORIFICE



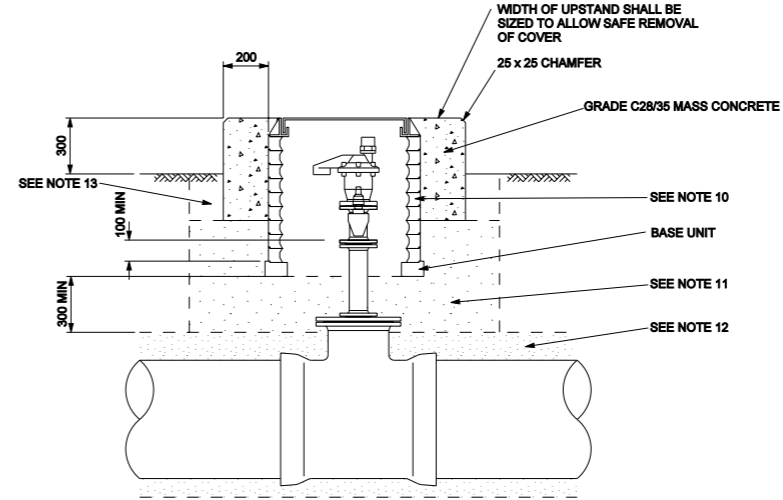
PIPEWORK DETAILS > DN300



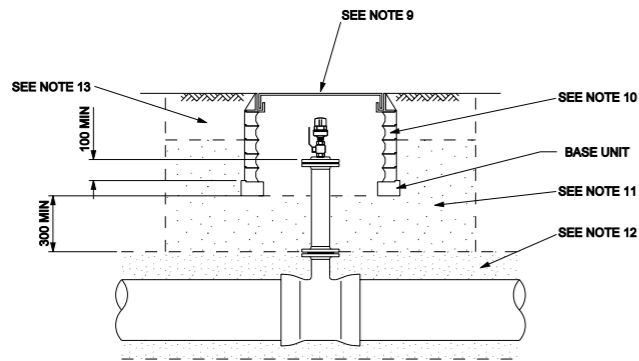
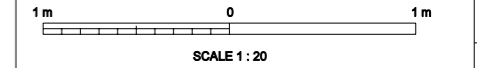
PIPEWORK DETAILS PE ≤ OD355  
SMALL ORIFICE



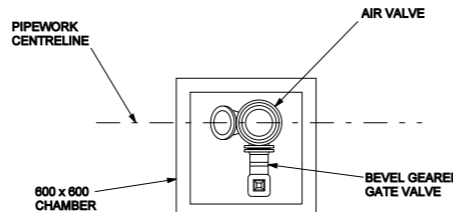
PIPEWORK DETAILS PE ≤ OD355  
LARGE ORIFICE



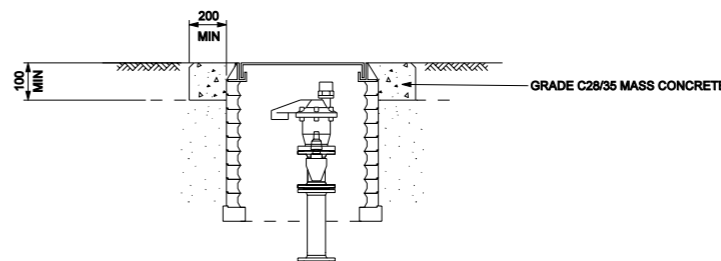
CHAMBER CONSTRUCTION  
FOR PIPEWORK IN FIELD  
SEE GUIDANCE NOTE C



CHAMBER CONSTRUCTION  
FOR ALL PIPEWORK  
SEE GUIDANCE NOTE C



PLAN ON CHAMBER SHOWING  
AIR VALVE/GATE VALVE LAYOUT



CHAMBER CONSTRUCTION  
IN FIELD OR VERGE

DATA OWNER	ASSET MANAGEMENT STANDARDS MANAGER
TECHNICAL LEAD (S)	MICHAEL BRIGHT
DOCUMENT AUTHOR	TECHNICAL INFORMATION
AUTHORISED BY	STANDARDS BOARD
DOCUMENT LOCATION	AM STANDARDS
DATE OF ISSUE	30/09/2013
REASON FOR ISSUE	CONVERSION AND REISSUE
REVIEW DATE	30/09/2015

**Thames Water**  
**ASSET MANAGEMENT**  
 CLEAR WATER COURT  
 VASTERN ROAD, READING RG1 8DB

Location Code:	OS Reference:	Security Reference:	Drawn By:
Project Group:	TECHNICAL STANDARDS		Sub Process:
Location / Town:	Site Name:		
Project Name:	STANDARD DRAWINGS - MANDATORY		
Contract Name:	WATER NETWORK		
Drawing Title:	AIR VALVE DETAILS		

Drawing No.:	Scale:	Sheet Size:	Rev:
AM-DRG-WN-02210	1:20	A1	1.0